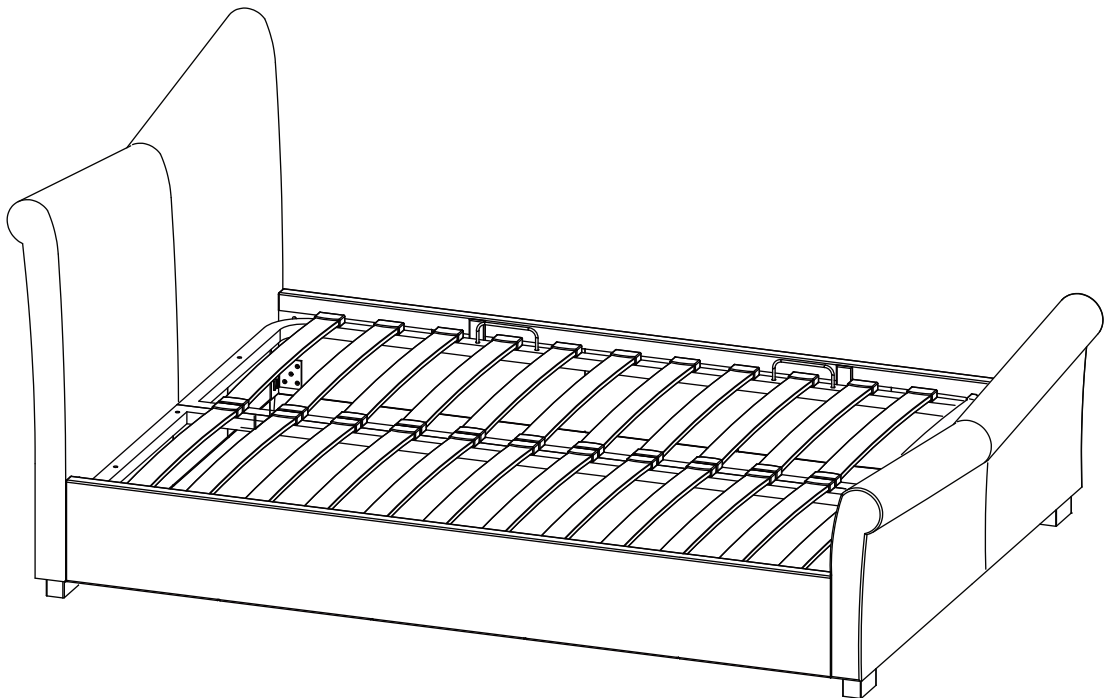


# Shalford Ottoman Bed

Double  
King



1 hour approx  
assembly time



Two person  
assembly

feather&black

# Thank you

Hello, thanks for choosing to purchase your bed from Feather & Black - you're now on your way to your best ever night's sleep. Before you begin building your bed, please take a moment to read through the instructions and make sure that you've got all the relevant parts listed on the following pages.



## Assembly tips

Before you begin, it's best to identify all parts and fittings to build your bed. We advise laying these out on the floor to check you have everything, and familiarising yourself before building.



## Top tip

We recommend that you build your new bed in the room you'd like it to be located - this will help prevent any risk of damage to your newly built bed whilst moving it.



## Safety and care

It's really important to ensure children and animals are kept away from the assembly area, as there are small components used in this bed which could present a choking hazard. All plastic and wrapping materials should also be kept away from children and animals to prevent any risk of suffocation. To keep your little ones busy, there is a colouring page inside the back cover.



## Help and support

At Feather & Black, it's our mission to give the whole nation a great night's sleep - this means that the quality of our products is of utmost importance to us. If there are any issues with your product or any missing parts, please contact our Help Centre on 01243 380 600 where a member of our team will be happy to help.



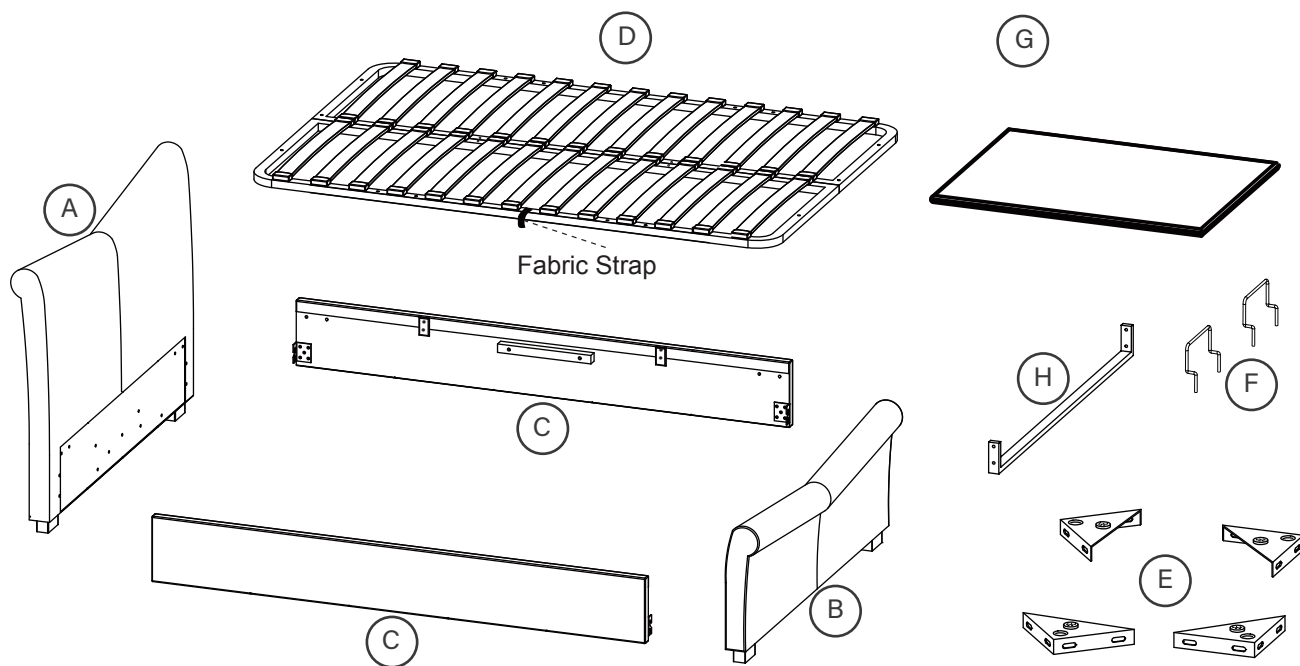
## Recycling

Please ensure that packaging is disposed of in a safe and environmentally friendly way, and recycle where possible. Our assembly instructions are printed on recycled paper. Please keep your assembly instructions safe to refer back to in the future.

# Parts

## Important information.

The bed you have purchased comes with a metal slat frame lifting from the side. You can configure this to open from left side or right side to make it convenient for the layout of the room it will be located in - please follow the instructions below in their current order.



## Parts list

A.	Headboard	1	E.	Angle Brackets	4
B.	Footboard	1	F.	Mattress Stoppers	2
C.	Side rails	2	G.	Fabric Base Cover	1
D.	Metal Slat Frame	1	H.	'U' Shaped Cross Bar	1

# Tools required

Please check you have all these below



Tape measure

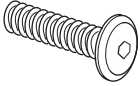



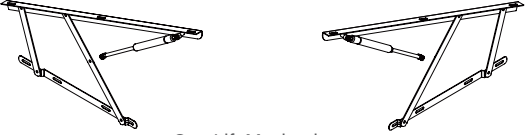


Cross head  
screwdriver

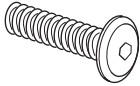


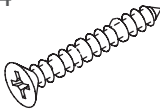
# Fittings

Please check you have all the parts listed below with your product:



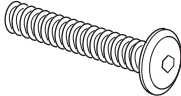
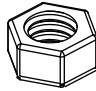


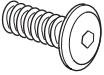

## Hardware included for fitting gas-lift mechanisms (pack A)

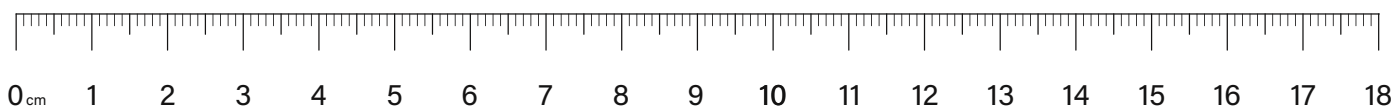
<p>a x8</p>  <p>Bolts (M8x30mm) for fitting gas-lift mechanisms (m) to headboard &amp; footboard (A&amp;B)</p>	<p>b x8</p>  <p>Spring Washers for M8 Bolts</p>	<p>c x8</p>  <p>Flat Washers for M8 Bolts</p>	<p>d x1</p>  <p>Allen Key for M8 Bolts</p>
<p>m (a) x1      m (b) x1</p>  <p>Gas-Lift Mechanisms</p>			

## Hardware included for bed assembly (pack B)

<p>a x24</p>  <p>Bolts (M8x30mm) for fitting side rails (C) to headboard &amp; footboard (A&amp;B)</p>	<p>b x24</p>  <p>Spring Washers for M8 Bolts</p>	<p>c x24</p>  <p>Flat Washers for M8 Bolts</p>	<p>k x4</p>  <p>Screws (5x50mm) for fitting 'U' shaped cross bar (H) to side rails (C)</p>
---	---	---	--

## Hardware included for fitting metal slat frame (C)

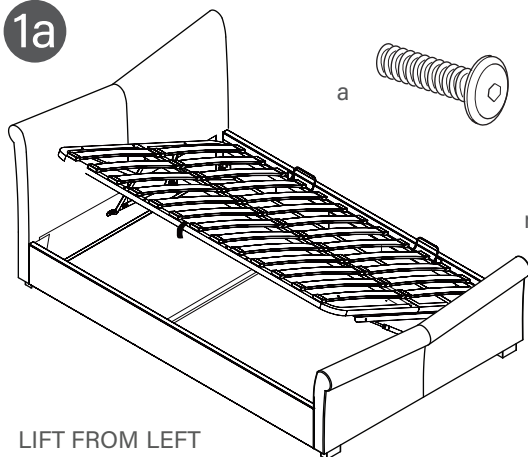
<p>b x6</p>  <p>Spring Washers for M8 bolt</p>	<p>c x16</p>  <p>Flat Washers for M8 bolt</p>	<p>e x6</p>  <p>Bolts (M8x50mm) for fitting metal slat frame (D) to gas-lift mechanisms</p>	<p>f x6</p>  <p>Nuts for M8 bolts</p>	<p>g x2</p>  <p>Flange Lock-Nuts for gas-lift pistons (M8)</p>
<p>h x1</p>  <p>Spanner for M8 nut</p>	<p>j x4</p>  <p>Bolts (M8x20mm) for fitting metal connection plates (l) to metal slat frame (D)</p>	<p>l x2</p>  <p>Metal connection plates</p>		



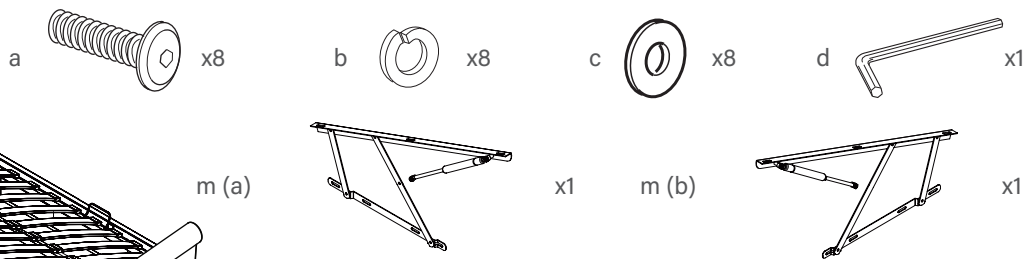
# Fitting gas-lift mechanisms use pack 'A'

Choose which side you want to lift up

1a

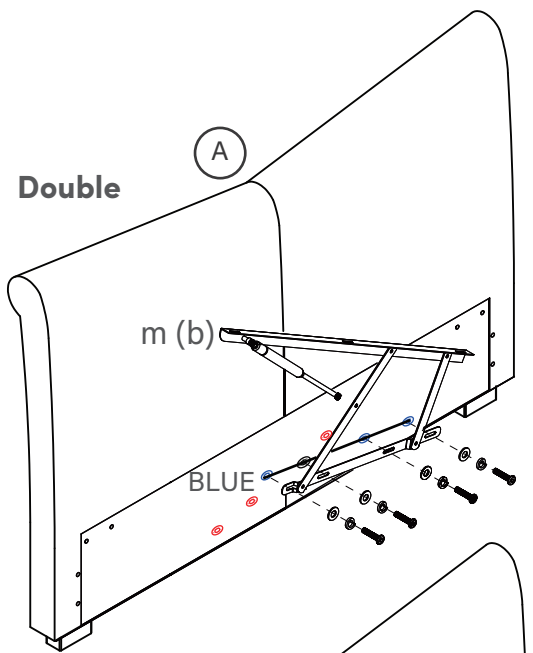


LIFT FROM LEFT

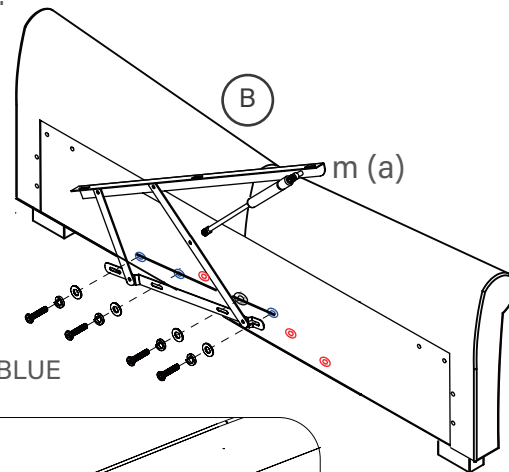


Check this diagram and if access is needed from LEFT side of bed, fit both lift mechanisms to RIGHT side of the bed. Bolt into the holes marked (R) with BLUE labels. The mechanisms are labeled m (a) & m (b), please carefully follow the diagram below.

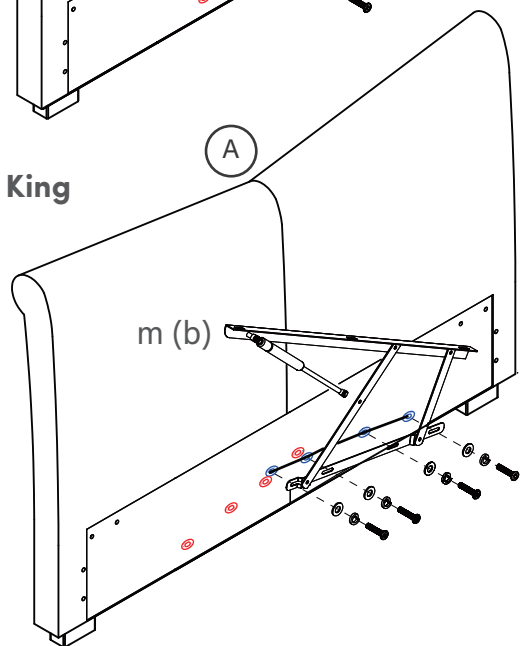
Double



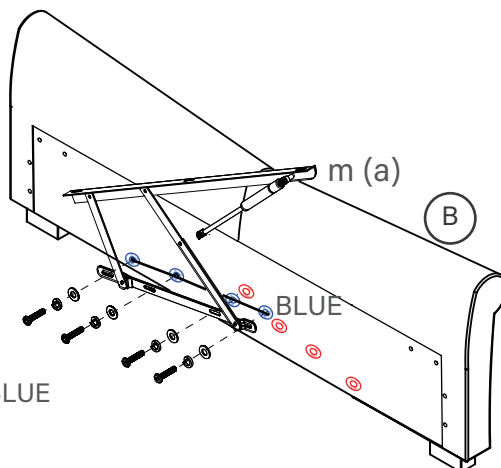
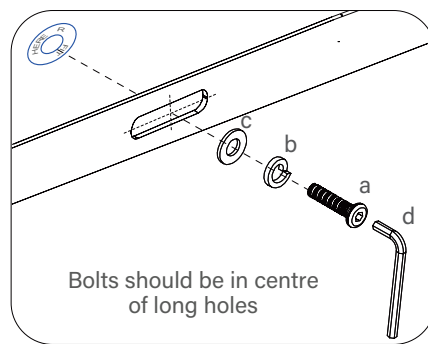
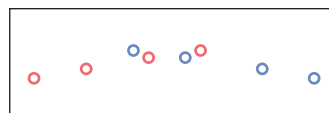
**Double Size**  
Align with the four BLUE labels marked R



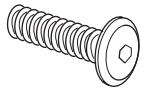


King

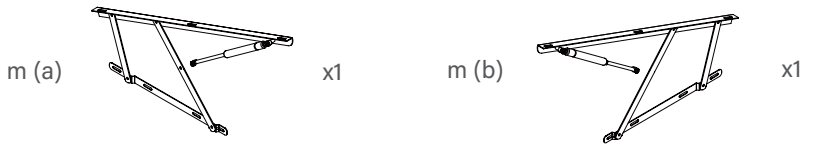
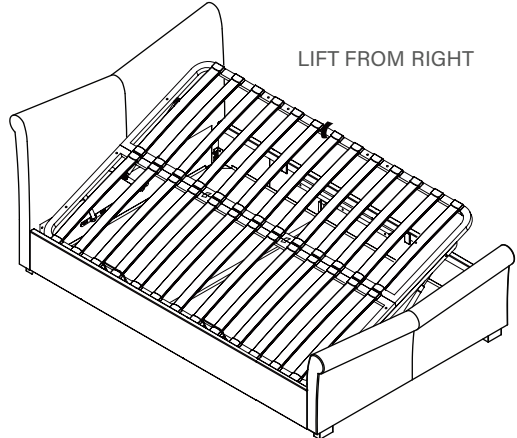


**King Size**  
Align with the four BLUE labels marked R

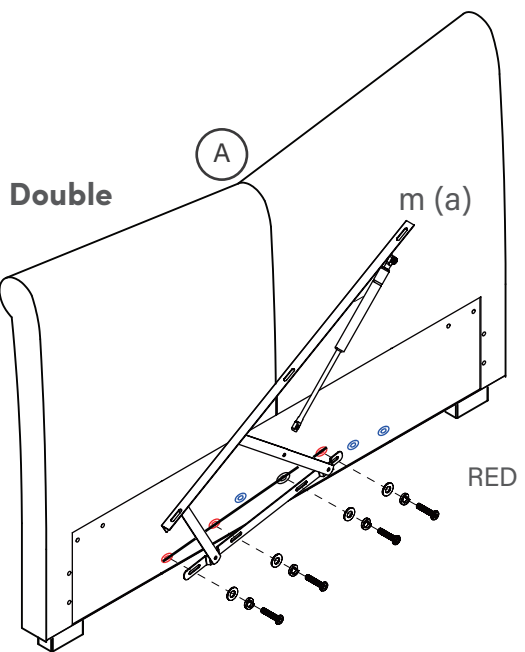


1b

- a  x8
- b  x8
- c  x8
- d  x1

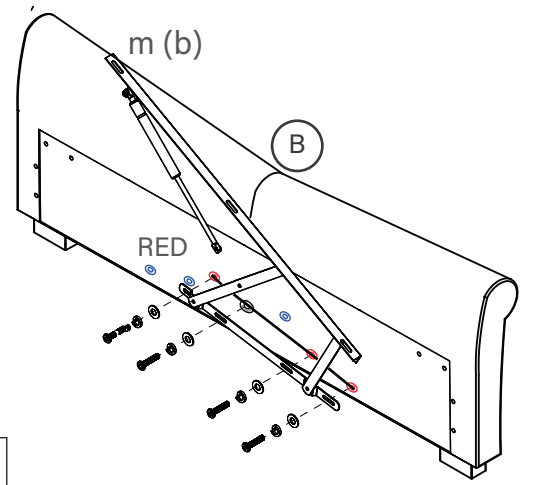


Check this diagram and if access is needed from RIGHT side of bed, fit both lift mechanisms to LEFT side of the bed. Bolt into the holes marked (L) with RED labels. The mechanisms are labeled m (a) & m (b), please carefully follow the diagram below.

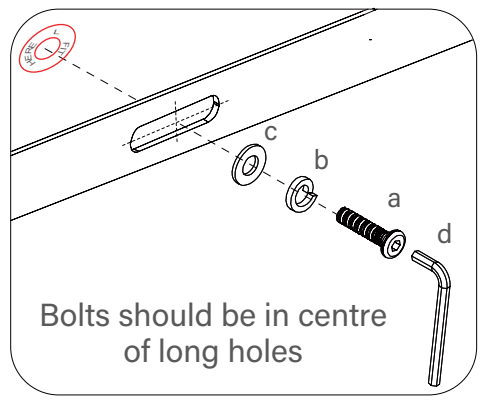


Double

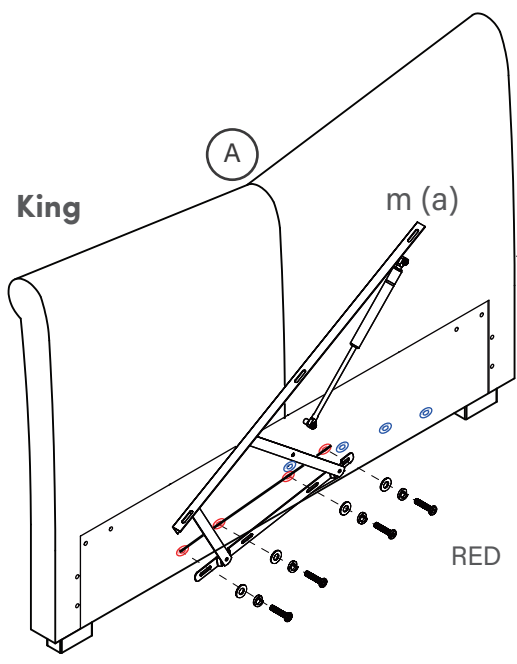
**Double Size**  
Align with the four RED labels marked L



RED

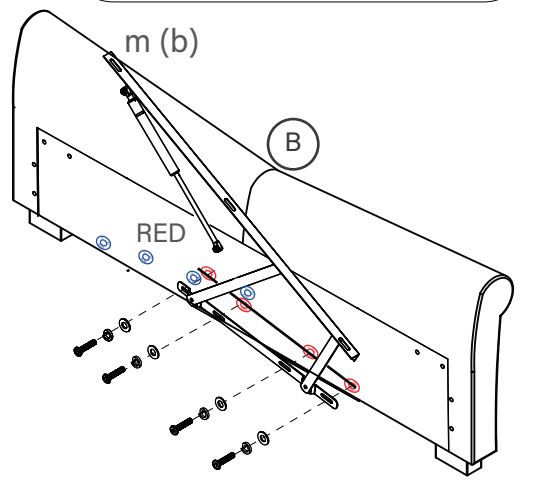
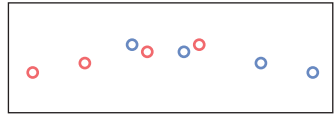


Bolts should be in centre of long holes



King

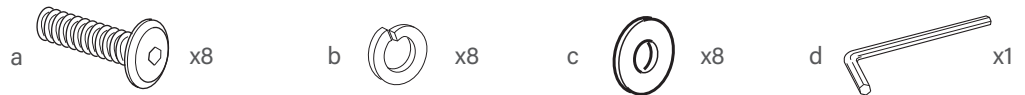
**King Size**  
Align with the four RED labels marked L



RED

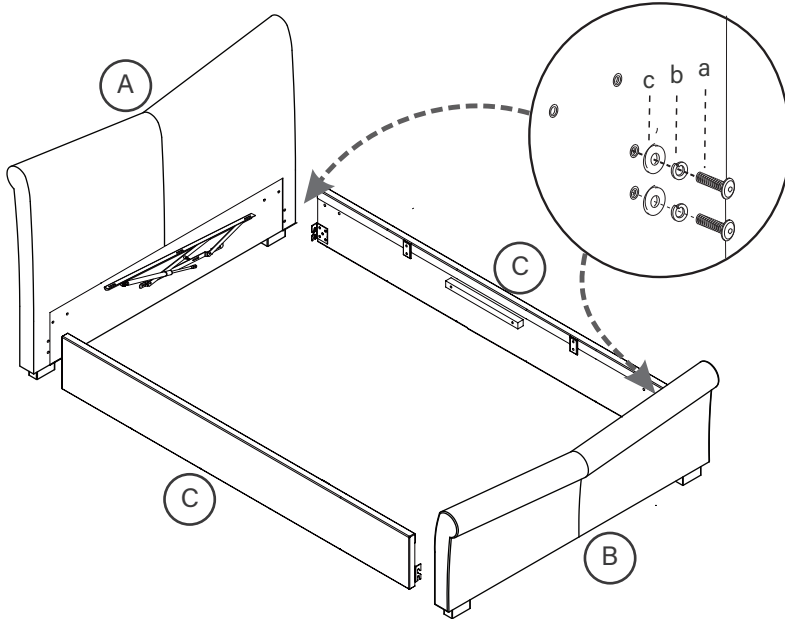
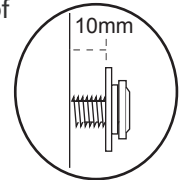
# Bed assembly - use pack 'B'

2

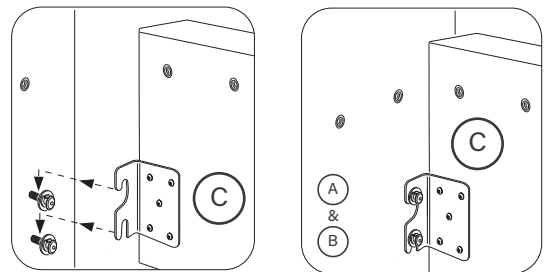


i) Loosely insert two sets of bolts (a) with spring washers (b) & flat washers (c) into each side of headboard & footboard (A&B)

Note: Do not tighten fully but leave 10mm protruding as in the diagram.

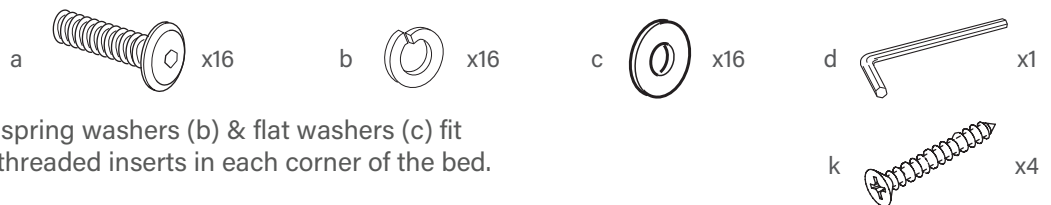


ii) Fit the side rails locating the brackets behind the flat washers.

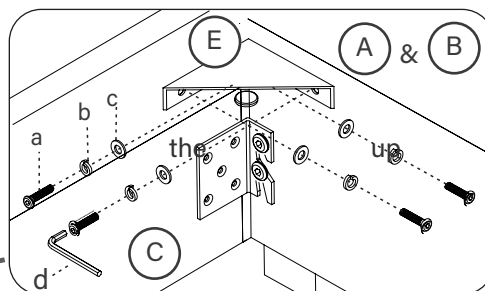


Please do not tighten any bolts yet.

3

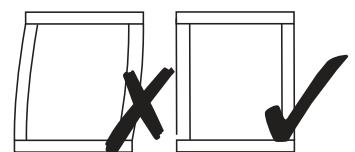


iii) Using 4 sets of bolts (a), spring washers (b) & flat washers (c) fit Angle Brackets (E) into threaded inserts in each corner of the bed.

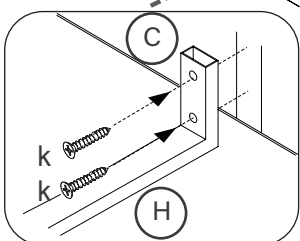


iv) Fit the 'U' Shaped Cross Bar (H) to centre of each side rail (C). Line up the ends of the bar with the marks and fix using screws (k) - note the screws drive straight into the side rails, there are no pilot holes.

v) Make certain the bed is squared up as in the diagram.



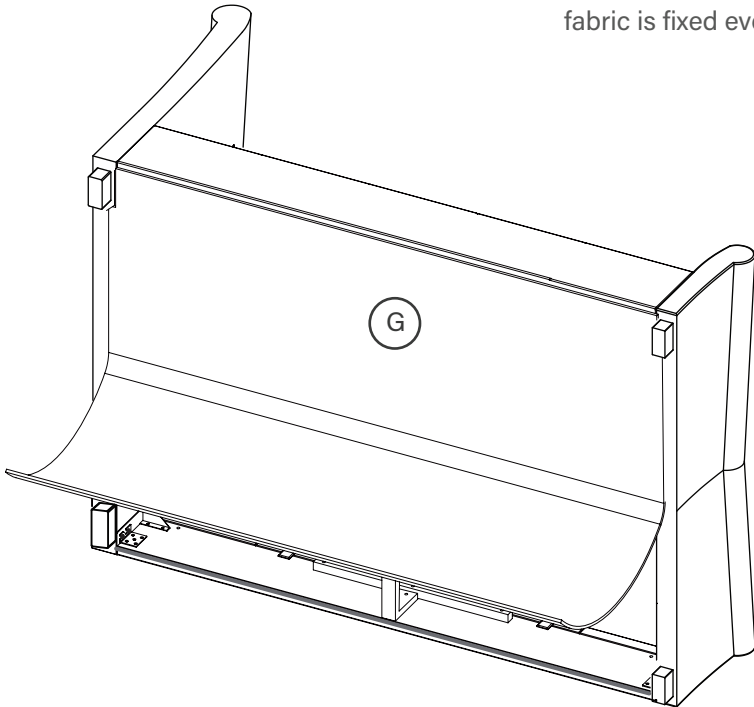
vi) Once all four corners are located tighten all the bolts using the Allen key (d).



# Fitting metal slat frame - use pack 'C'

4

Turn bed on its side and attach Fabric Base Cover (G) to bottom of side rails, headboard & footboard with the velcro tape. Make sure fabric is fixed evenly all round.

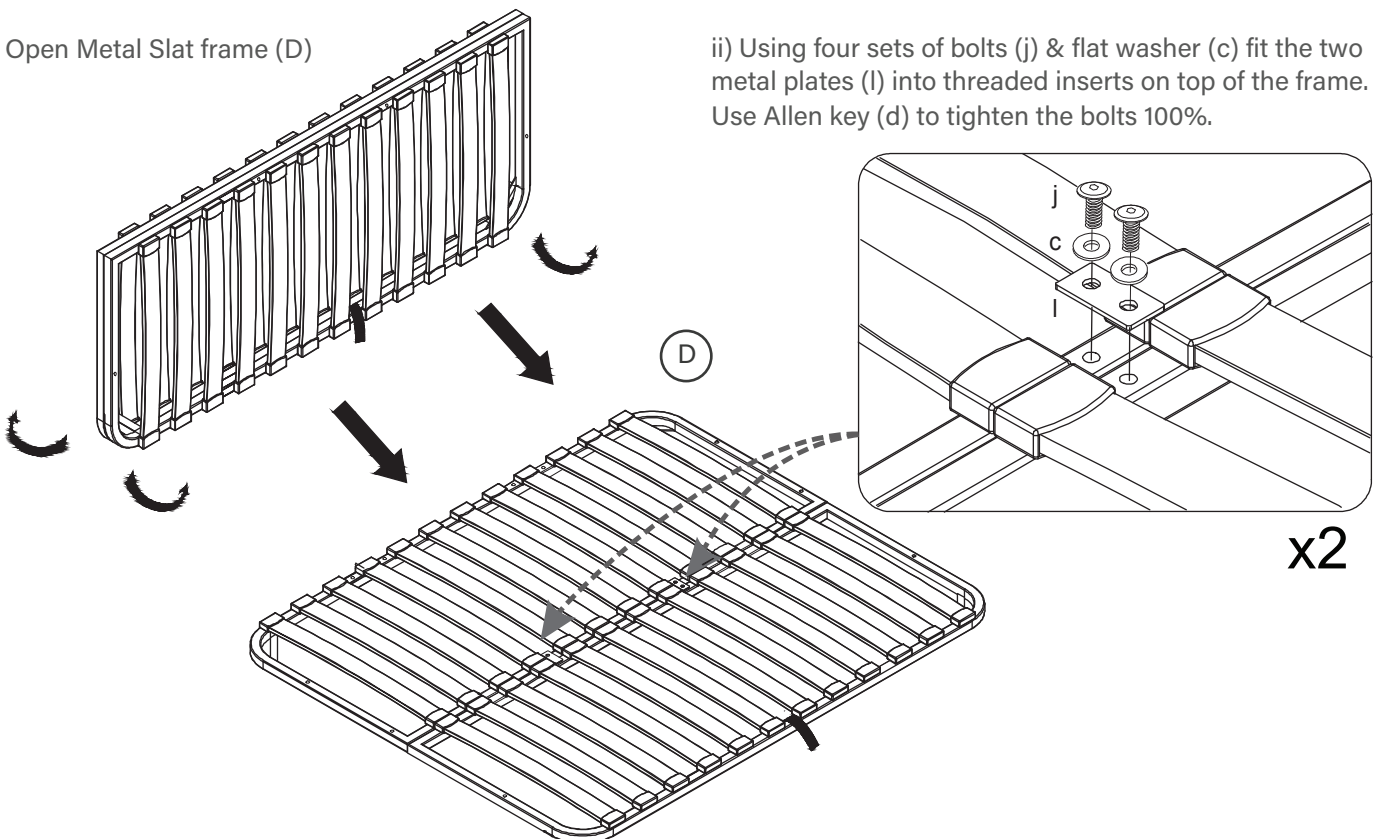


5



i) Open Metal Slat frame (D)

ii) Using four sets of bolts (j) & flat washer (c) fit the two metal plates (l) into threaded inserts on top of the frame. Use Allen key (d) to tighten the bolts 100%.

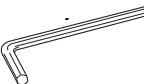


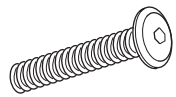


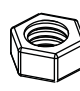
6

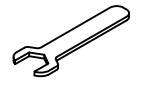
b  x6

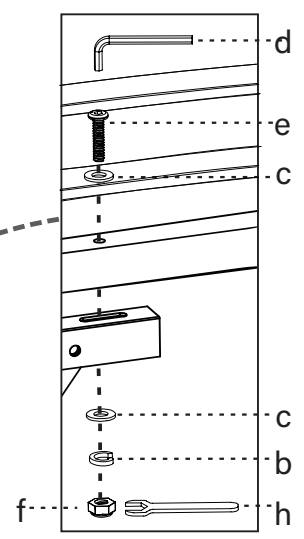
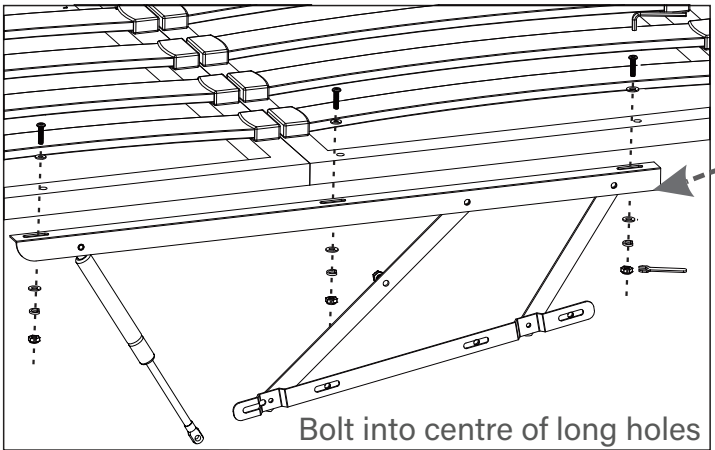
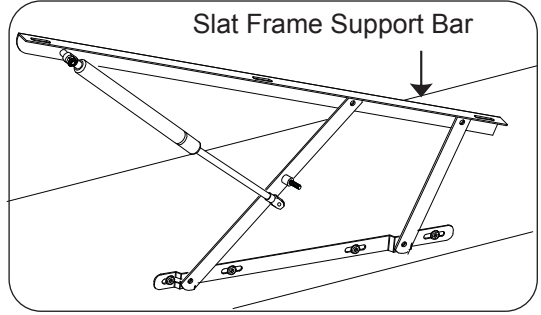
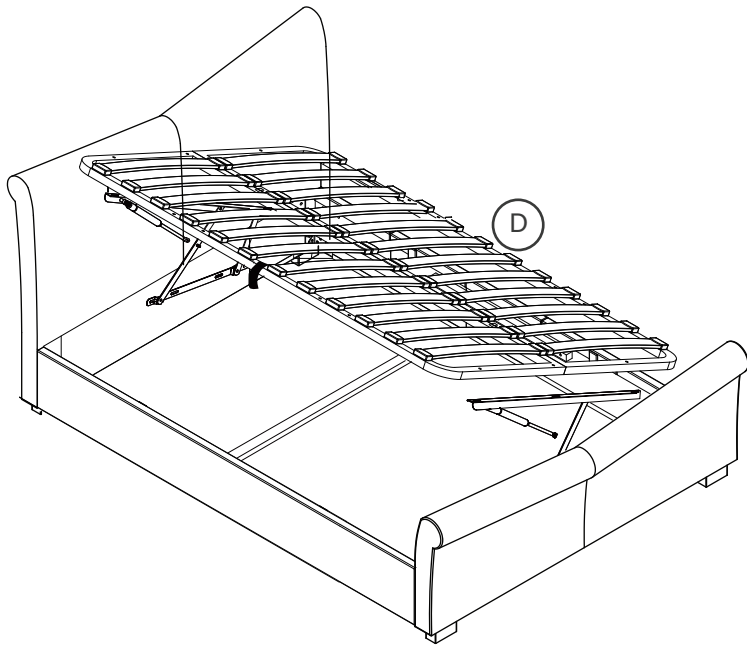
c  x12

d  x1

e  x6

f  x6

h  x1

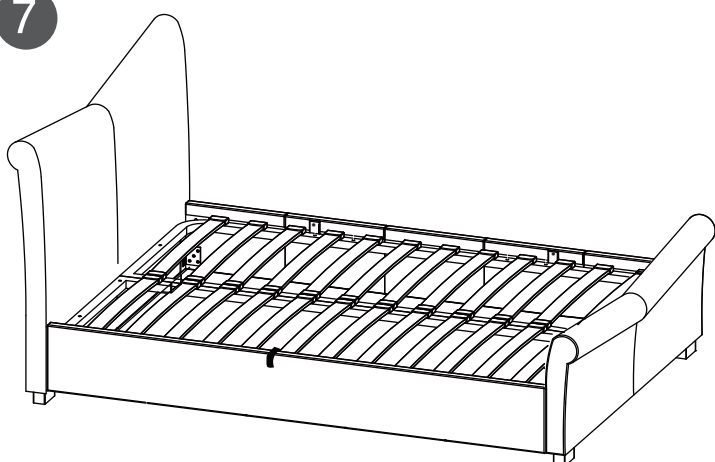



i) Please note: make sure the holes for mattress stoppers are on the correct side of the slat-frame before bolting together.

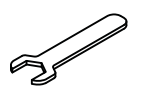
ii) With help, lift the slat frame onto gas lift mechanism support bars.

iii) Using three bolt sets on each side, (e), (b), (c) & (f), loosely fix slat frame to the six holes - finger tight for the moment

7

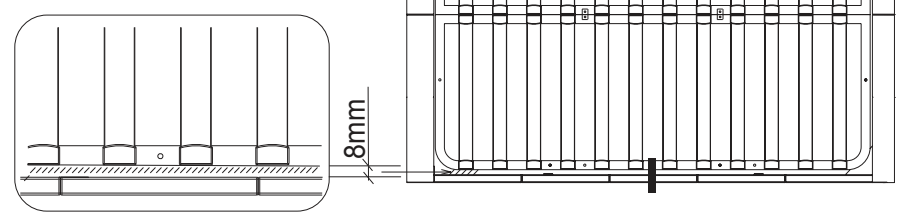


d  x1

h  x1

Carefully lay frame down. Make sure there is an even gap of about 8mm down each side of the frame and side rail as in the sketch.

Hold frame firmly in place then tighten all six bolt sets 100% using spanner (h) & Allen key (d).

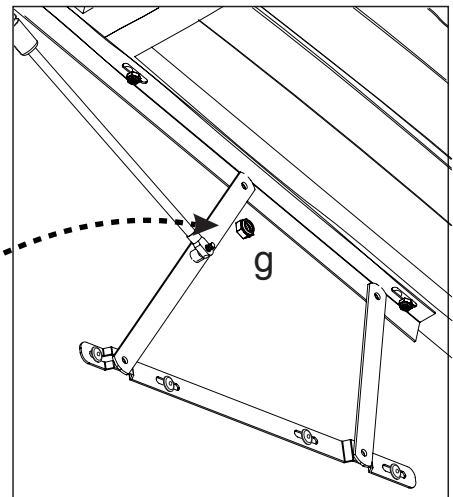
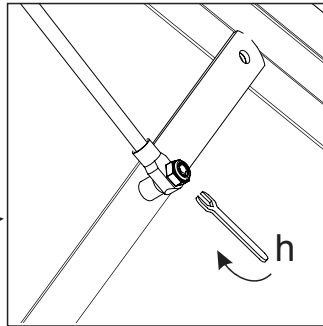
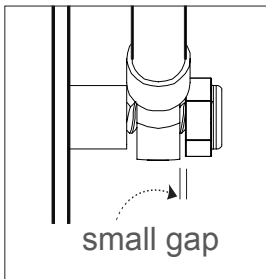
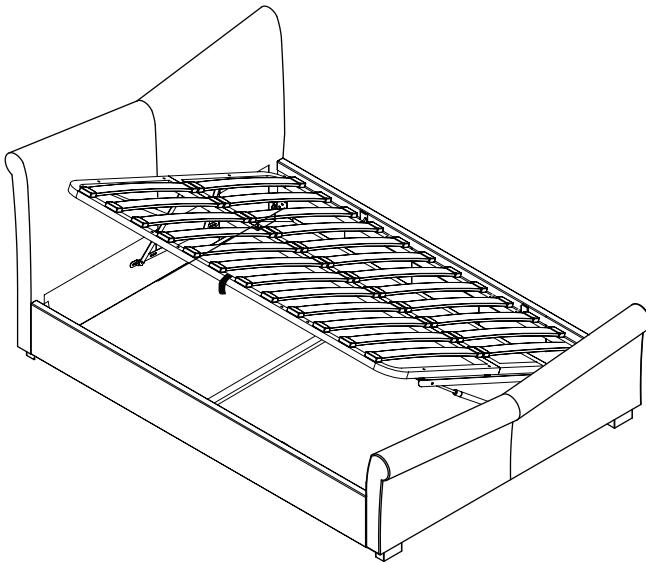


9

g  x2      h  x1

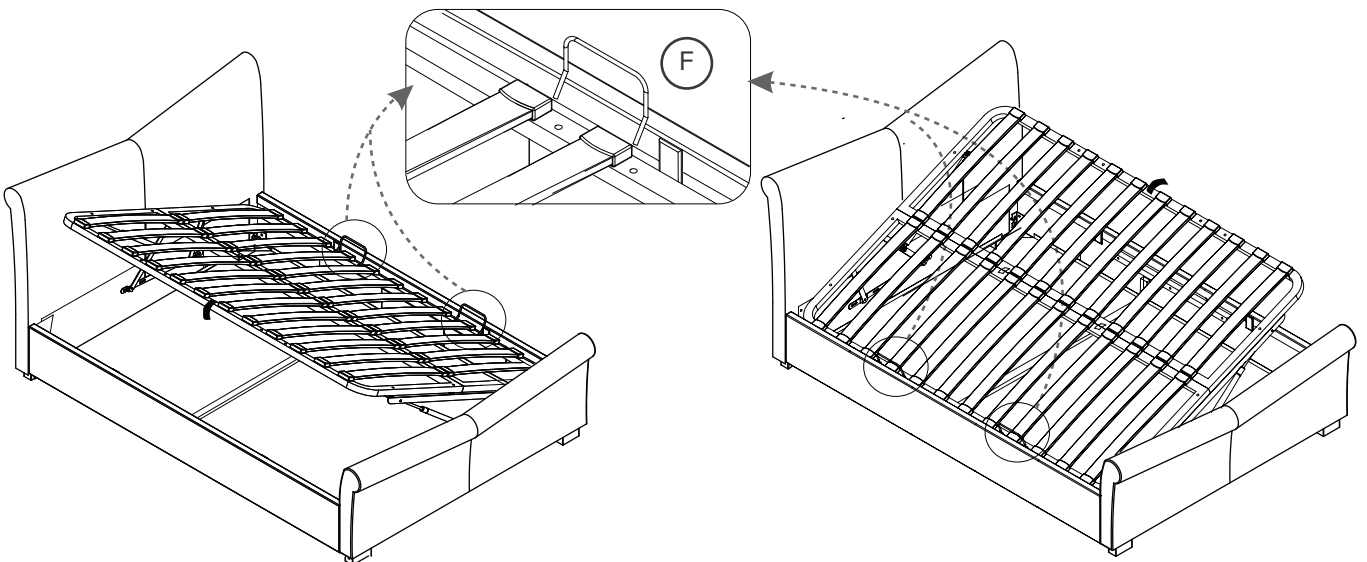
Slide gas-lift piston stem onto the axle then fit the flange lock-nut (g). Tighten nut with spanner (h), do not over-tighten.

A small gap needs to be left so stem can move freely, please see sketch below.



10

Push x2 Mattress Stoppers (F) into metal frame



Note: Place mattress on slats then slowly push down metal frame ensuring the frame is aligned with the side panels. Depending on the weight of the mattress, the speed of the lift will vary so be careful until you get used to the speed.

Always use the fabric strap to lift or lower the frame - keep fingers well away from the moving parts.

**When fully assembled and with the mattress in position, please raise & lower the ottoman 4/5 times to ensure the gas pistons are fully lubricated.**

### Overall Dimensions (LWH cm)

Double: 220 x 145.5 x 106 King:

230 x 160.5 x 106

### Storage Dimensions (LWH cm)

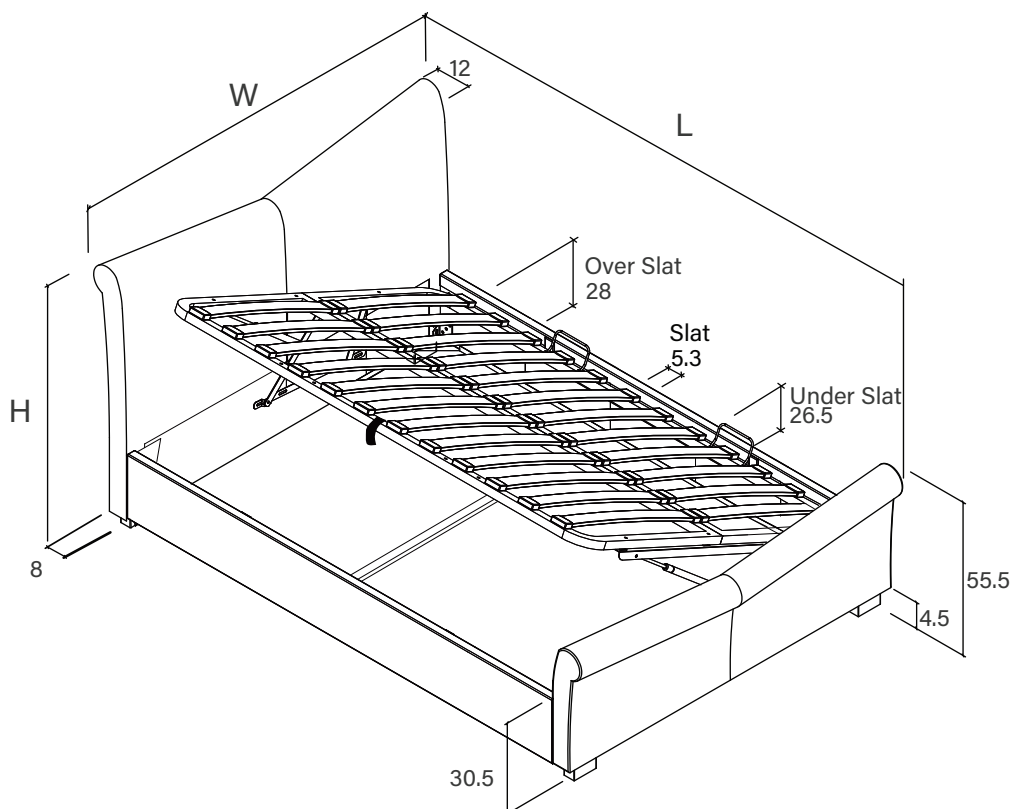
Double: 193 x 139 x 22

King: 203 x 154 x 22

### Distance between slats (cm)

Double: 9

King: 8.7



## Care and maintenance

Here are some tips to keep your new bed in tip-top condition



### Cleaning

To clean your new bed, we'd advise using a warm damp cloth or if fabric, remove dust using a low suction vacuum cleaner - please do not use abrasive chemicals or bleach as this may damage the product.



### Checking and moving

Periodically we recommend you check that the screws or fixtures haven't become loose, over time. To move your new bed, we recommend lifting it where possible, as dragging or pushing it could cause damage to your flooring.



### Wood

Please note each of our wooden pieces are unique, meaning that markings and shade can vary slightly between beds. Over a period of time, the wood might lighten or fade slightly due to light exposure.



### Fabric

Please note depending on the lighting, positioning and surroundings of your room, the shade of the colour can sometimes appear slightly different. Over a period of time the colour might lighten or fade slightly due to light exposure.



### Metal

Metal tends to be more resilient to everyday wear and tear. We recommend to gently dust your metal furniture and keep it dry to maintain its look.

Thank you for shopping with us - we hope you have a great night's sleep

*Sleep well*

feather&black